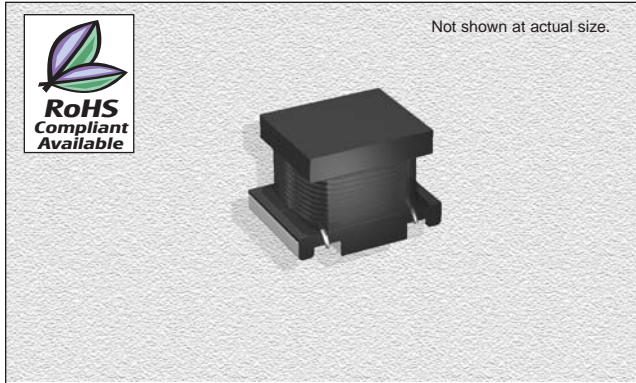


# CTLQ2220C Series

From 0.12  $\mu\text{H}$  to 10,000  $\mu\text{H}$



## SPECIFICATIONS

Parts are available in  $\pm 20\%$  inductance tolerance only.  
**CTLQ2220CE** Please specify "F" for RoHS Compliant

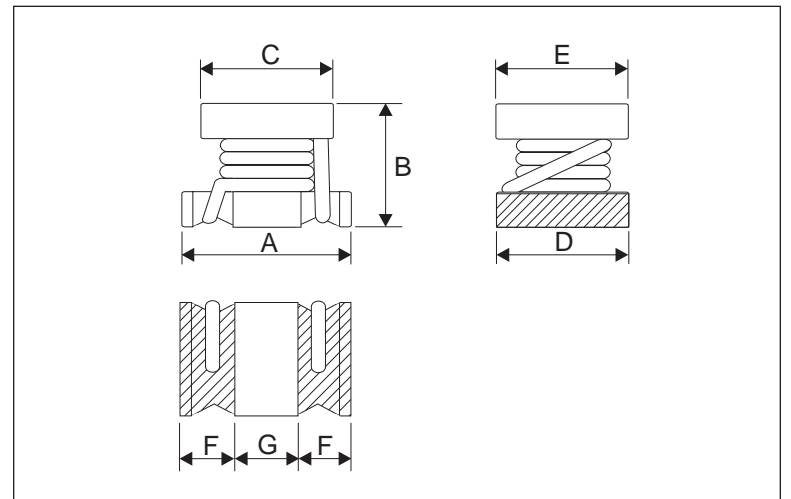
Part Number	Inductance ( $\mu\text{H} \pm 20\%$ )	L Test Freq. (Hz)	DCR Max. ( $\Omega$ )	SRF Min. (MHz)	Allowable Current (A)
CTLQ2220C_-R12M	.12	1M	.0098	450	6.0
CTLQ2220C_-R27M	.27	1M	.014	300	5.3
CTLQ2220C_-R47M	.47	1M	.0182	200	4.8
CTLQ2220C_-1R0M	1.0	1M	.027	150	4.0
CTLQ2220C_-1R5M	1.5	1M	.031	110	3.7
CTLQ2220C_-2R2M	2.2	1M	.041	80	3.2
CTLQ2220C_-3R3M	3.3	1M	.05	40	2.9
CTLQ2220C_-4R7M	4.7	1M	.0574	30	2.7
CTLQ2220C_-6R8M	6.8	1M	.104	25	2.0
CTLQ2220C_-100M	10	1M	.130	20	1.7
CTLQ2220C_-150M	15	1M	.21	17	1.4
CTLQ2220C_-220M	22	1M	.266	15	1.2
CTLQ2220C_-330M	33	1M	.448	12	0.9
CTLQ2220C_-470M	47	1M	.56	10	0.8
CTLQ2220C_-680M	68	1M	.938	7.6	.64
CTLQ2220C_-101M	100	100k	1.204	6.5	.56
CTLQ2220C_-151M	150	100k	2.660	5.0	.42
CTLQ2220C_-221M	220	100k	3.36	4.0	.32
CTLQ2220C_-331M	330	100k	6.16	3.1	.27
CTLQ2220C_-471M	470	100k	7.56	2.4	.24
CTLQ2220C_-681M	680	100k	11.34	1.9	.19
CTLQ2220C_-102M	1000	10k	14.42	1.7	.15
CTLQ2220C_-222M	2200	10k	30.1	1.2	.10
CTLQ2220C_-472M	4700	10k	61.04	.8	.07
CTLQ2220C_-103M	10000	10k	140	.5	.05

## CHARACTERISTICS

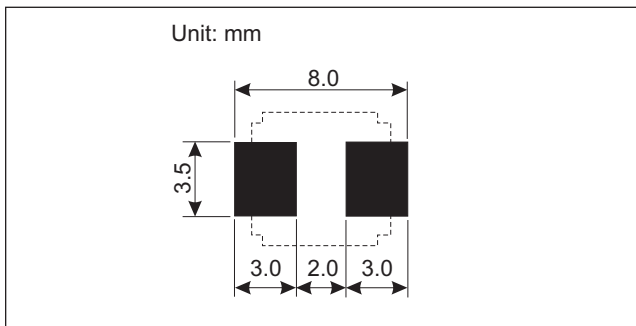
- Description:** SMD power inductor
- Applications:** Power supplies for VTR, OA equipment, LCD televisions, PC notebooks, portable communication equipment, DC/DC converters, etc.
- Operating Temperature:**  $-25^{\circ}\text{C}$  to  $+85^{\circ}\text{C}$
- Inductance Tolerance:**  $\pm 20\%$
- Testing:** Tested on a HP4284A at specified frequency
- Packaging:** Tape & Reel
- Marking:** Reels are marked with inductance code and tolerance
- Miscellaneous:** RoHS Compliant available.
- Additional Information:** Additional electrical & physical information available upon request
- Samples available.** See website for ordering information.

## PHYSICAL DIMENSIONS

Size	A	B	C	D	E	F Min.	G Min.
mm	5.7 $\pm$ 0.3	4.7 $\pm$ 0.3	5.0 $\pm$ 0.3	5.0 $\pm$ 0.3	5.0 $\pm$ 0.3	1.3	1.7
inches	0.22 $\pm$ 0.01	0.19 $\pm$ 0.01	0.20 $\pm$ 0.01	0.20 $\pm$ 0.01	0.20 $\pm$ 0.01	0.05	0.07



## LAND PATTERN



01.30.06



Manufacturer of Inductors, Chokes, Coils, Beads, Transformers & Toroids

800-684-5322 Inside US 949-453-1811 Outside US

Copyright © 2006 by CT Magnetics, DBA Central Technologies. All rights reserved.

CT Magnetics reserves the right to make improvements or change specifications without notice